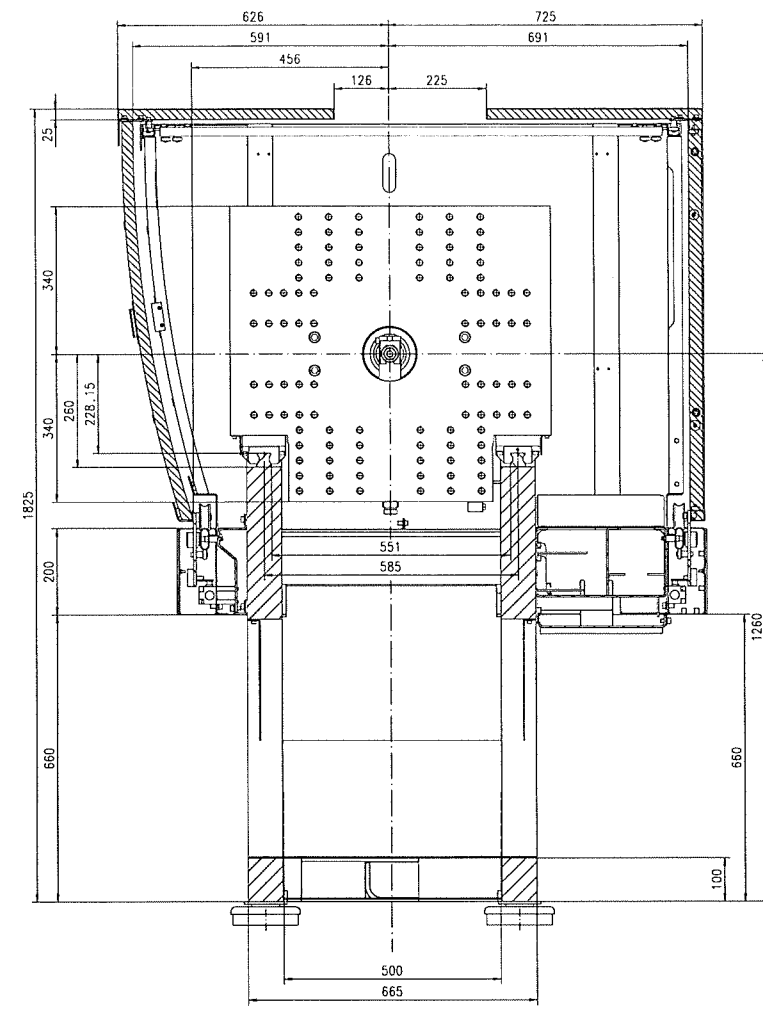
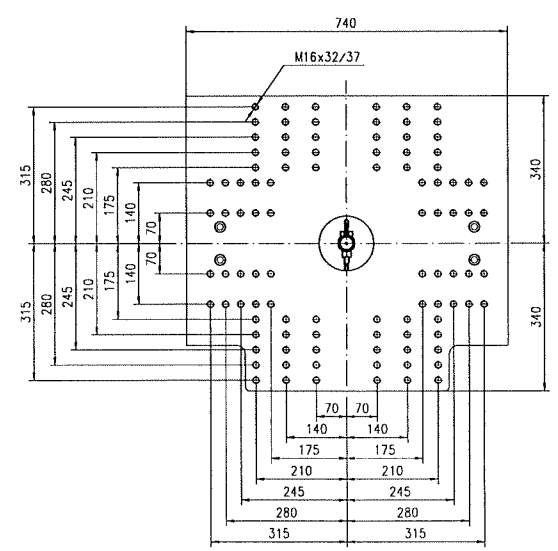
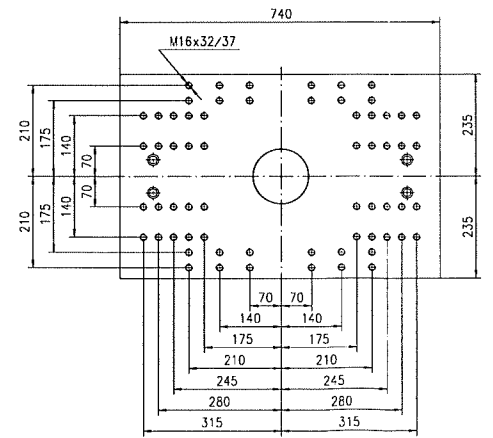
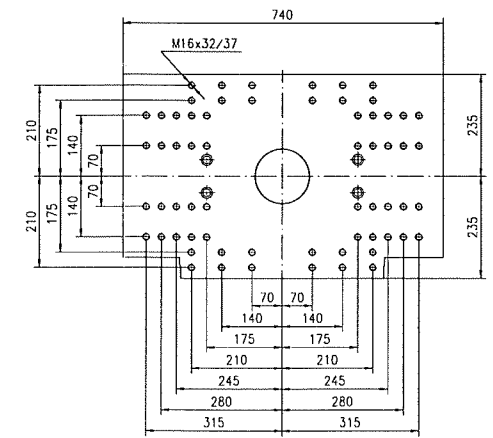
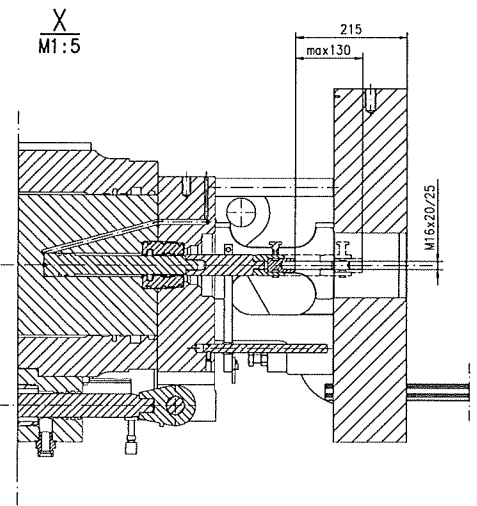


A-A



PLATTENGROSSE A  
PLATEN-SIZE A



DÜSEWEG NOZZLE STROKE Lmax (mm)	TYPE	PLATTENGROSSE PLATEN-SIZE	
		STANDARD	OPTION
200	VC 200/90, 110, 120	Tech	A
250	VC 330/90, 110, 120		B
300	VC 500/90, 110, 120		
200	VC 200/90, 110, 120	Power	B
250	VC 330/90, 110, 120		
300	VC 500/90, 110, 120		
200	VC 200/90, 110, 120	Speed	B
250	VC 330/90, 110, 120		
300	VC 500/90, 110, 120		
250	VC 200/90, 110, 120	Electric	A
290	VC 310/90, 110, 120		B

IDENTIFICATION: PLATEN LAYOUT WERKZEUGAUFSPANNMASSE

SCALE: 1:10

0736-904-29-00

DATE: 2004-01-13

ISO 1302 (1993)

ISO 8015

ISO 2768-mK

ENGEL