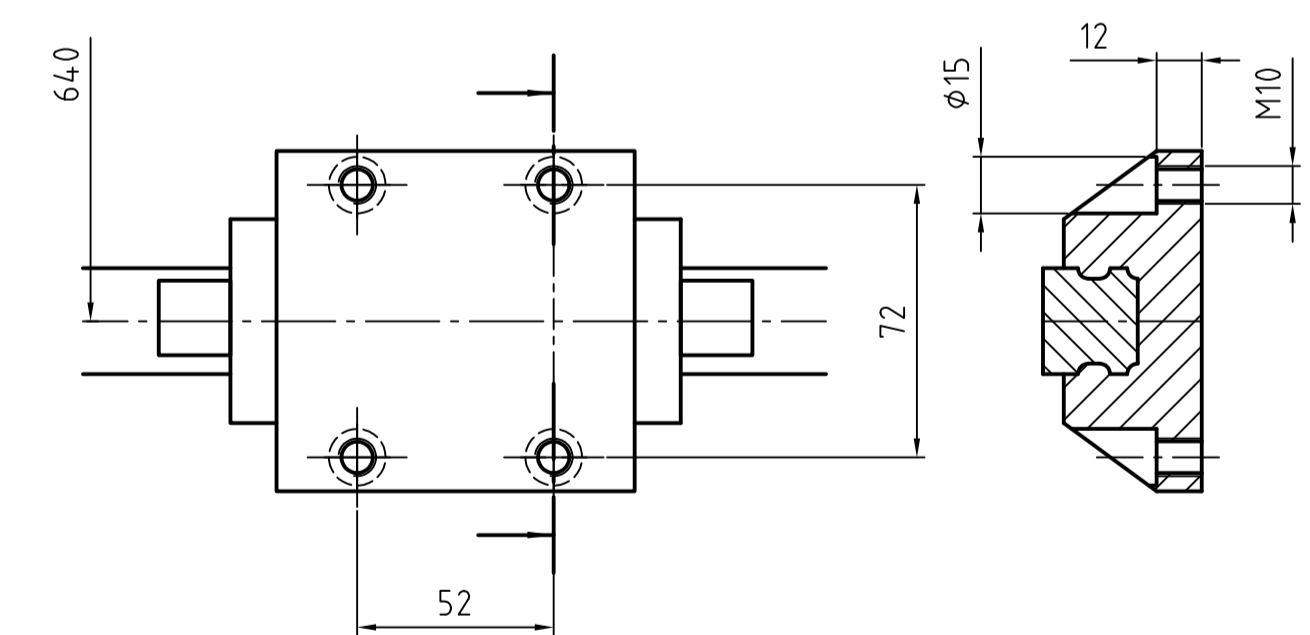
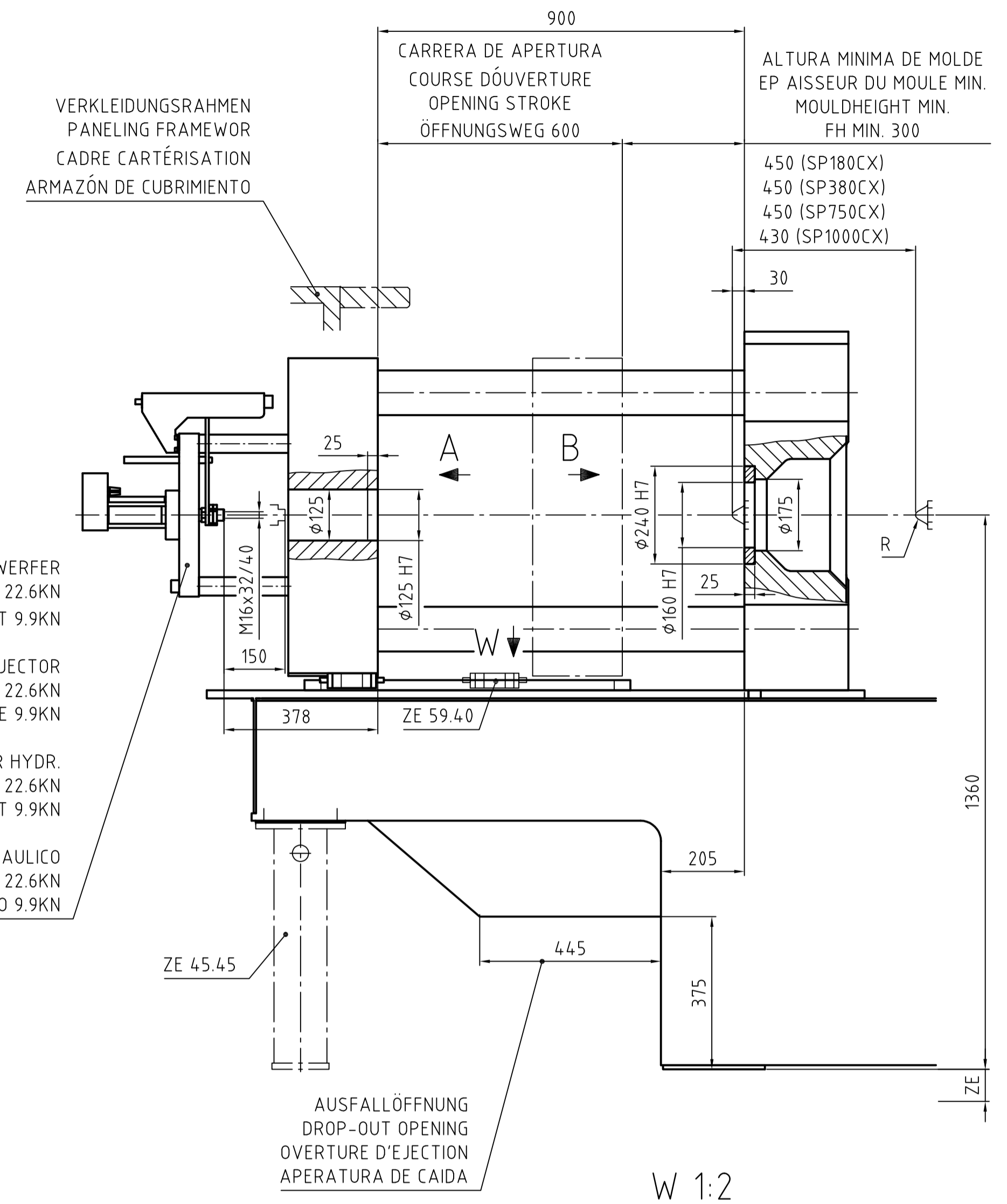
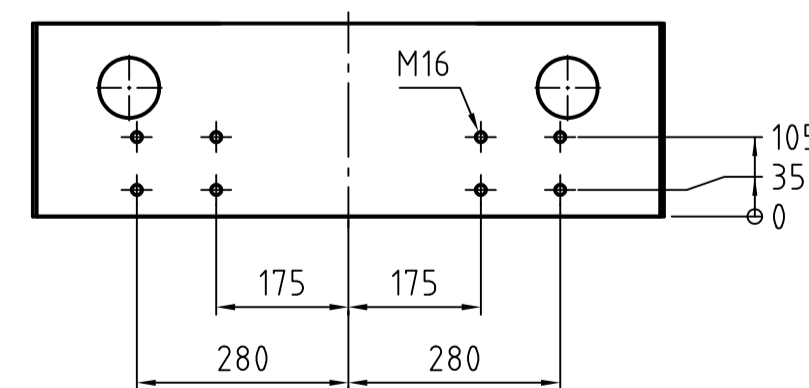


X - ZE 45.721
EUROMAP 18 - E8



ZE 02.508	58,5±8,5	SP 1000 CX	R 10
ZE 02.502	69±9	SP 750 CX	R 10
ZE 02.50	66±6	SP 380 CX	R 10
ZE		SP 180 CX	R 10
		SP	R = STANDARD

applicable	dimensions without tolerances	ISO	scale	weight
KM110/130CX	ISO 2768	1302	1:10	...
SP180/380/750/1000CX	KM-standard N0100		basic material	mat. no. ...
			raw part no.	...
	created	approved	designation	
	name	name	MOLD-CONNECTION DIMENSIONS	
	dept	dept	WERKZEUGANSCHLUSSMAßE	
	yy-mm-dd	yy-mm-dd		
index	quantity	number	drawing no.	sheet no./of
			57 B 94.13 Z	1 / 1
			part no.	
			8485100	
	revision history	source		
		84.76151		

Note protection notice ISO 16016